

CHEVRON MAXI SKIRT
WAISTBAND

CUT 2

CHEVRON MAXI SKIRT
FRONT & BACK

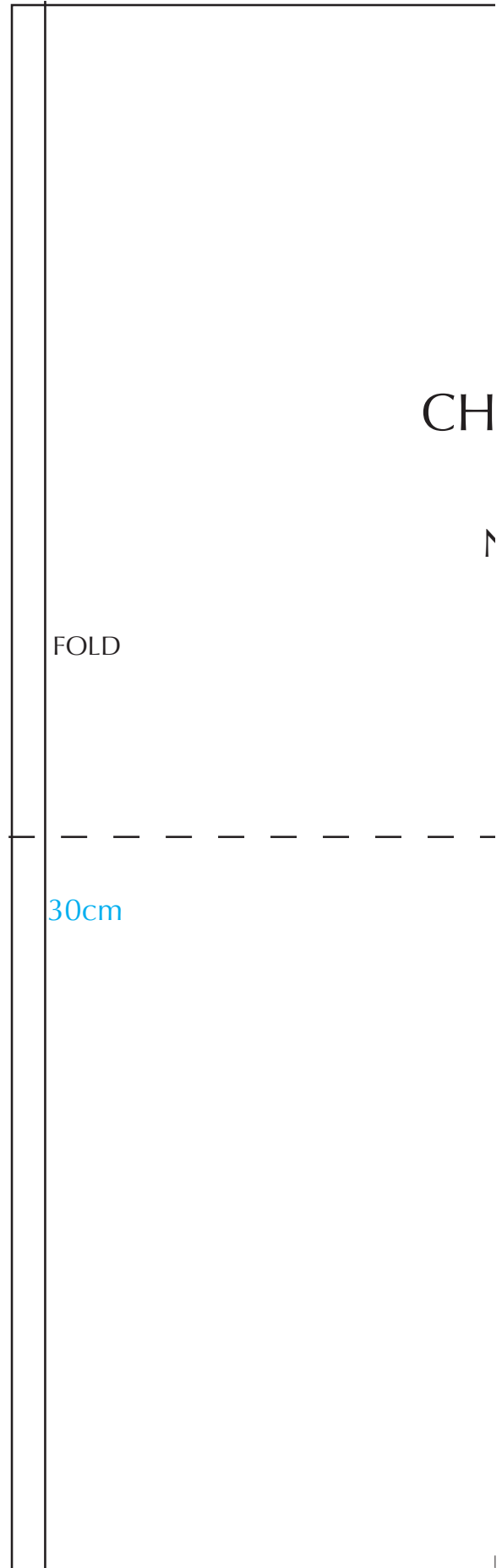
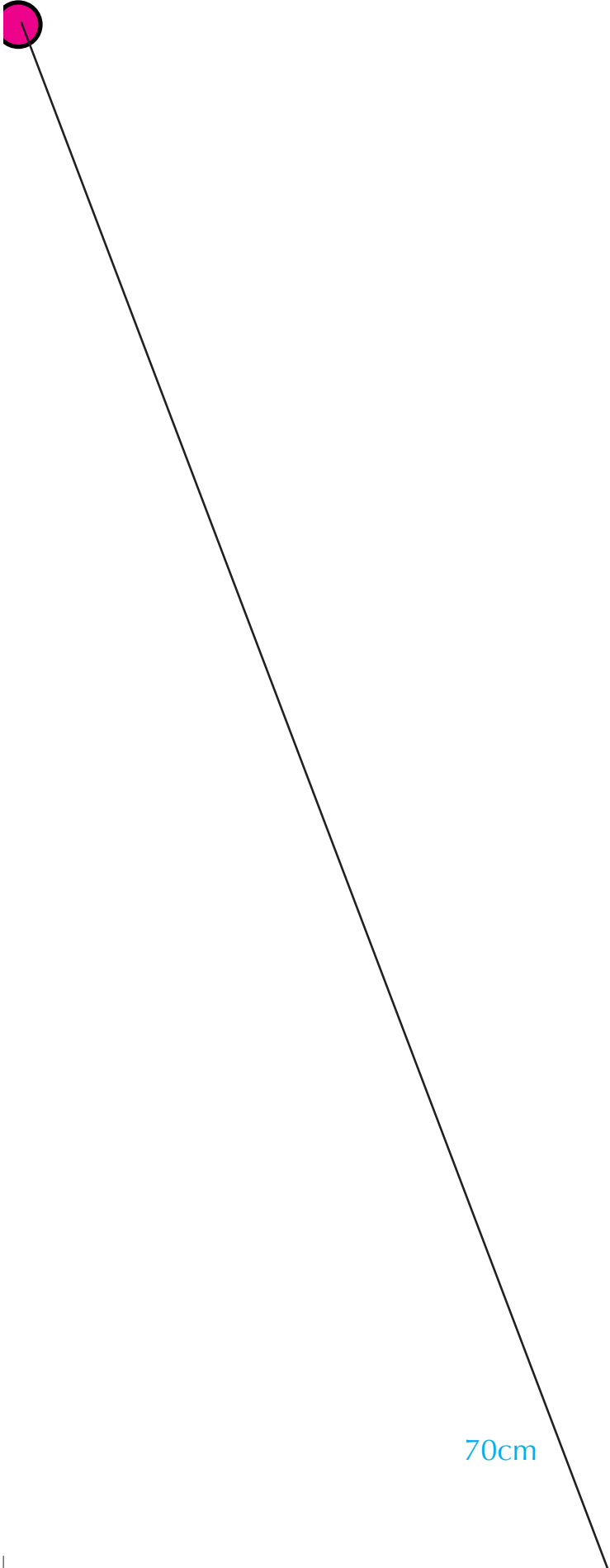
CUT 2

overview

chevron maxi

www.sewdifferent.co.uk

20cm



CHEVRON MAXI SKIRT WAISTBAND

NO SEAM ALLOWANCE

CUT 2
ON FOLDED FABRIC

 **Copyright Sew Different**
www.sewdifferent.co.uk

While this pattern and tutorial are free and the originator is happy for them to be distributed and used by third parties, they must ALWAYS be linked and accredited to the website www.sewdifferent.co.uk and never pasted into an independent website without permission.

FOLD

82cm

CHEVRON MAX
FRONT & B
NO SEAM ALLOW

CUT 2
ON FOLDED FAI

 **Copyright Sew Different**
www.sewdifferent.co.uk

While this pattern and tutorial are free and the originator is happy for them to be distributed and used by third parties, they must ALWAYS be



SKIRT

ACK

ANCE

BRIC

20cm

**To achieve the chevron effect with
see full post on www.sewdifferent.co.uk.
make skirt in a plain or regular pattern
follow instructions below:**

With right sides together sew together
BACK panels between the pink and

Join your 2 sections of WAISTBAND
edge. Fold your waistband in half h
the dashed line to make a double l
Join to make a circle. With right side
the WAISTBAND to the main skirt.

Hem the bottom of your skirt.

**a striped fabric,
co.uk/blog or, to
terned fabrics,**

ner the FRONT &
l the green dots.

D along the 30cm
orizontally along
ayer waisband.
s together attach



22cm

45cm
